



**NATIONAL OILWELL**

**Equipment Data Book**

**National-Oilwell**

**760-K-750 HOOK BLOCK  
Hook Serial Number H3135  
Block Serial Number H3140**

**Customer**

**SPHERE SUPPLY INC.**

**Customer P.O. S 00600 0000028  
NOI S.O. SP1040909**

**PROJECT: RIG 182  
HULL P2003**

Printed in U.S.A.



CERTIFICATE  
OF  
COMPLIANCE

DATE: SEPT. 11, 2002

CUSTOMER: SPHERE SUPPLY INC.

CUSTOMER PURCHASE ORDER: S 00600 000028

NOI SALES ORDER: SP1040909

PRODUCT NUMBER: 704256AA3

PRODUCT DESCRIPTION: 760-K-750

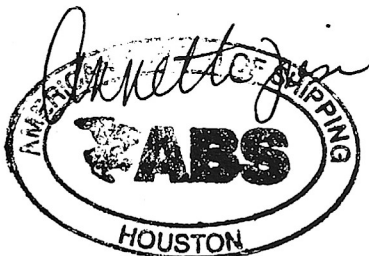
PRODUCT SERIAL NUMBER: H3135 & H3140

This certificate is your assurance that the equipment here has been manufactured in accordance with National-Oilwell's quality system manual. This system is designed to assure that all units and parts shipped from National-Oilwell are subject to adequate control of quality to ensure safety, performance, reliability, and customer satisfaction.

All material acceptances, dimensional acceptances, functional checks, and processing surveillances were performed by the Quality Control Department in accordance with established procedures and specifications.

A handwritten signature in cursive script, appearing to read 'Henry J. Daquin'.

National-Oilwell Quality Assurance



# American Bureau of Shipping



## INDEPENDENT REVIEW CERTIFICATE

NO: HOE-2346/2002

DATE: 8 May 2002

EXPIRES: 8 May 2007

**THIS IS TO CERTIFY** the specification for manufacture for the equipment listed below has been reviewed and found to be in compliance with the ABS Guide for the Certification of Drilling Systems and the pertinent requirements of the United Kingdom HSE "Offshore Installation and Wells (Design and Construction) Regulations" SI 913, 1996.

**MANUFACTURER:** NATONAL OILWELL, L.P.

**COMPONENT DESCRIPTION:** 760-K-750 Hook Block w/(7) 60" O.D. Sheave

**PART NO:** 704256AA3

**COMPONENT OPERATING ENVELOPE:**

<b>DESIGN RATED LOAD:</b>	750 Tons (680 M Tonnes)
<b>HANG OFF LOAD:</b>	60 Tons (54 M Tonnes)
<b>MINIMUM DESIGN TEMPERATURE:</b>	-20° C (4° F)

**SPECIFICATION AND STANDARDS:** ABS 8<sup>th</sup> Edition 1997, Effective Date: May 1998

**LIST OF DRAWINGS AND DOCUMENTATION AS PER ATTACHED LIST**



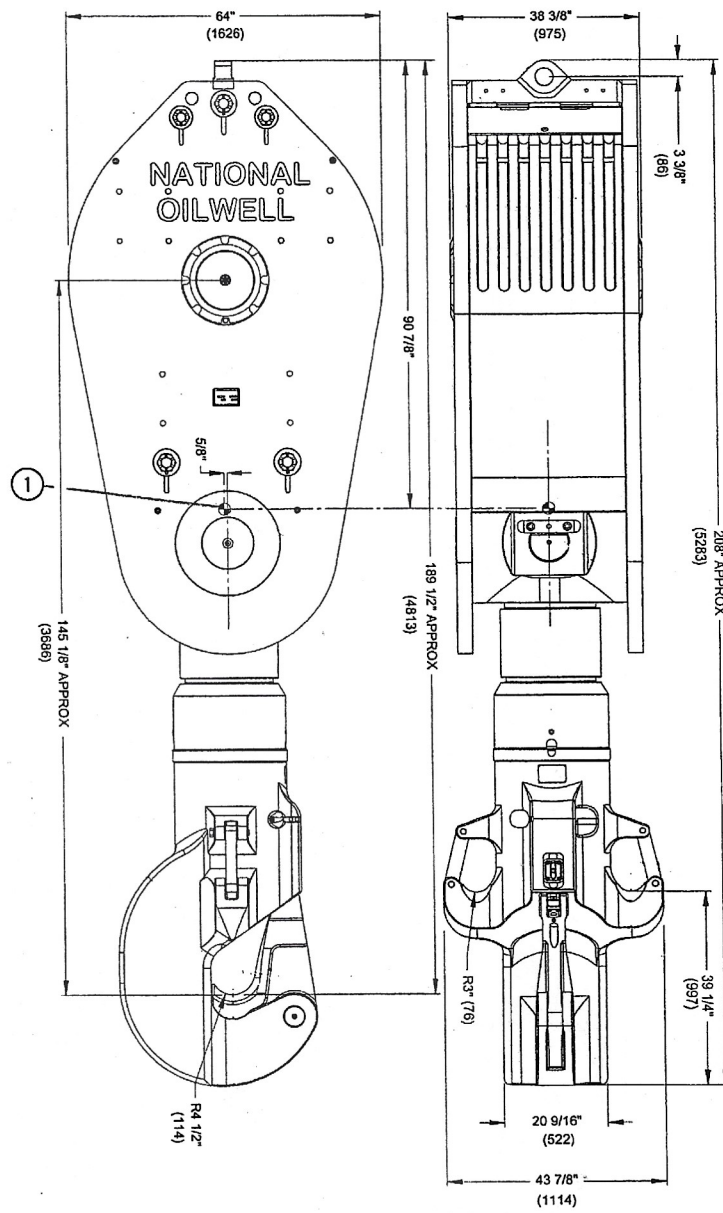
NATIONAL-OILWELL  
Part Desc. HOOK/BLOCK  
Trace No. H3135/H3140  
SECTION II PAGE 3

This certificate is a representation only that the structure, item of material, equipment, machinery or other item covered by this certificate has met one or more of the Rules, guides standards or other criteria of American Bureau of Shipping or of a National Administration and is issued solely for the use of the Bureau, its committees, its clients or other authorized entities. The validity, applicability and interpretation of this certificate is governed by the Rules and Standards of American Bureau of Shipping who shall remain the sole judge thereof. Nothing contained in this certificate or in any notation made in contemplation of this certificate shall be deemed to relieve any designer, builder, owner, manufacturer, seller, repairer, operator or other entity of any warranty express or implied.

IRC-1-86

**GENERAL INFORMATION**  
**760-K-750 HOOK BLOCK**

Fig. 1.1



① Estimated centerline of gravity  
 Numbers in ( ) are in millimeters except as noted.

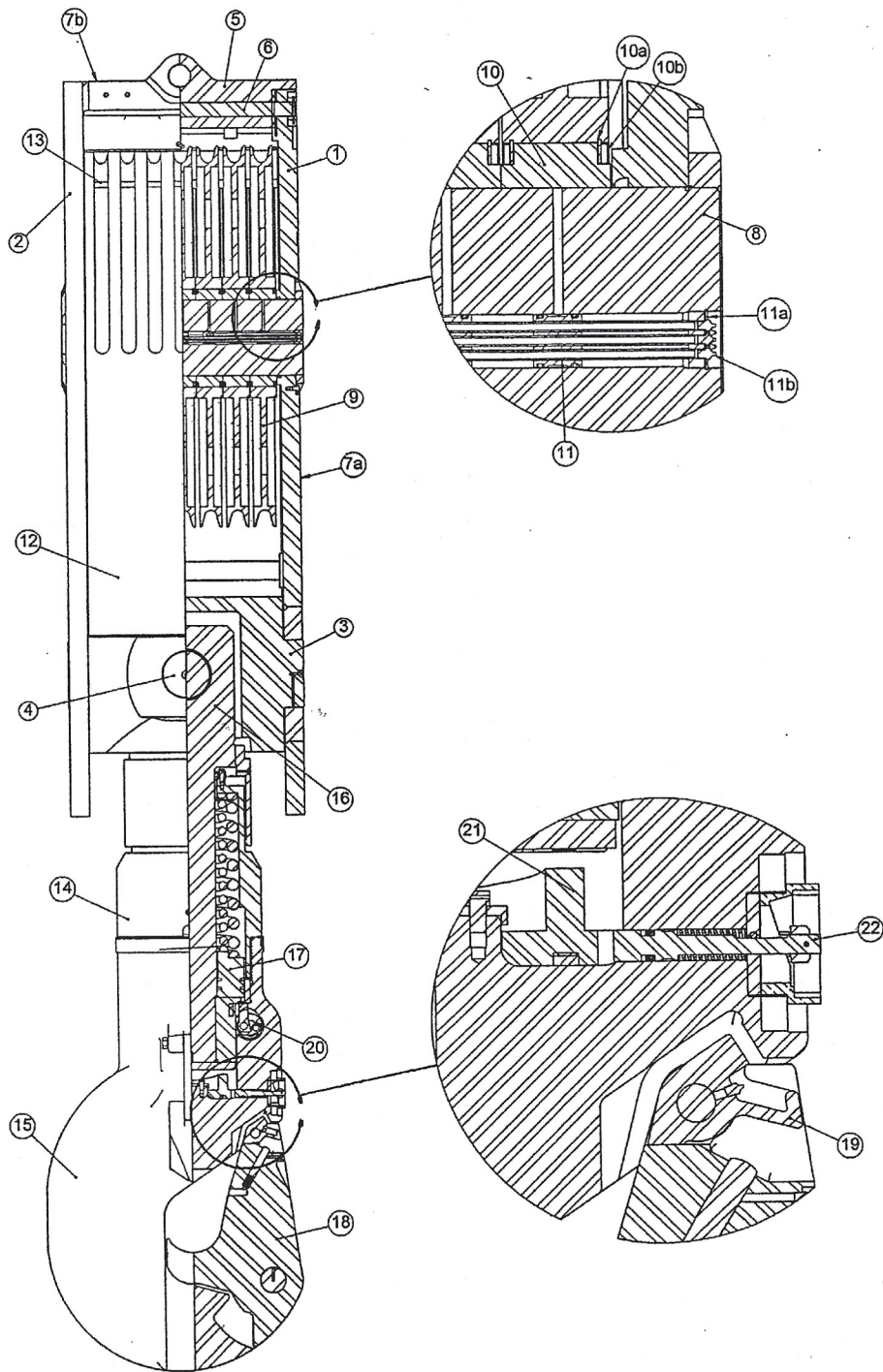


Fig. 1.2